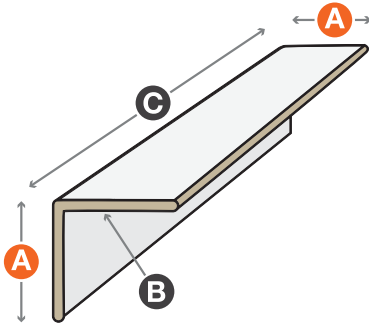


# CornerPro™ Tolerances

Litco Corner Protectors for Shipping and Handling

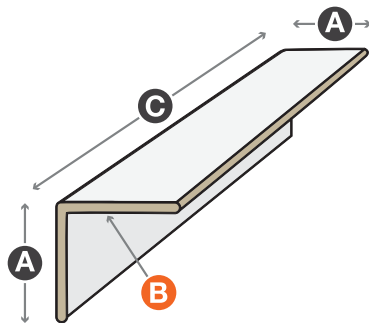


## Leg Length (A)

**Plus or minus ¼" (0.25")** on equal length legs (3 x 3, 2 x 2, etc.) and plus or minus ½" (0.50") on offset legs (4 x 2; 3 x 1; etc.). Leg length inconsistencies can be the result of the following:

- Increasing and decreasing paper tension during the slitting process can cause paper to “walk” — producing fluctuations in paper roll width
- Rollers, manufacturing equipment used in the corner protector forming stage, can occasionally pull paper off-center

Example: A (2" x 2" x 0.120" x 60") order requires a 2" leg length on each side. Leg lengths measuring between 1.75" (2" - 0.25") and 2.25" (2" + 0.25") on either side would be within manufacturing's tolerance.

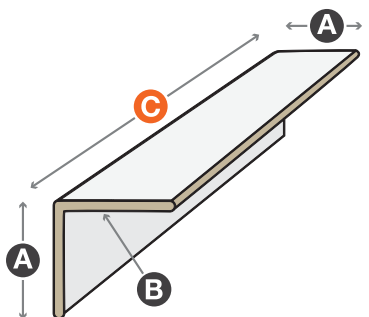


## Thickness (B)

**Plus or minus 10% thickness** (caliper) on all corner protection products. Some fluctuations in paper thickness can be experienced during the manufacturing process due to:

- Inconsistencies in thickness throughout a paper roll — caliper can increase and decrease from outer layer to core
- Variations in comparable roll thickness from one paper mill to another — evident when matching and running multiple rolls

Example: A (2" x 2" x 0.120" x 60") order requires a 0.120" caliper. Manufacturing would be considered within tolerance if the caliper measured between 0.108" (0.120" - 0.012") and 0.132" (0.120" + 0.012").



## Board Length (C)

**Plus or minus ¼" (0.25")** on all board lengths.

Example: A (2" x 2" x 0.120" x 60") order requires a 60" board length. Manufacturing would be considered within tolerance if the finished board length measured between 59.75" (60" - 0.25") and 60.25" (60" + 0.25").

Notes: Length measurements provided above are denoted in inches ("in"). Angle measurements are denoted in degrees ("°"). All Litco Corner Protection goods are subject to overage/underage factors as outlined above. Litco reserves the right to ship and invoice for a purchase order that falls within the parameters above and buyer shall accept delivery and pay for order, deeming the order complete.

# CornerPro™ Tolerances *(continued)*

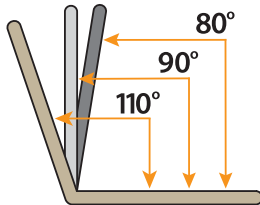
Litco Corner Protectors for Shipping & Handling



## Quantity

**Plus or minus 5% quantity**, per the Litco CornerPro™ Pieces Per Pallet Guide.

Example: A (2" x 2" x 0.120" x 60") order requires a standard skid quantity of 2,800 pieces. Manufacturing would be deemed within the stated quantity tolerance if the actual number of pieces ranged between 2,660 (2,800 x 95%) and 2,940 (2,800 x 105%) pieces. In all cases, the correct number of pieces should be denoted on the shipping paperwork.



## Angle

**Plus 20° or minus 10° from standard 90° angle** on all corner protection products. Angle variations can be attributed to the following:

- While corner protectors are manufactured with a tighter angle than 90° — the recycled paperboard's pre-formed material memory can cause protectors to exceed the standard right angle expectation
- Corner protectors stacked on the bottom of a skid can experience angle compression from the weight of other protector rows above

Example: A (2" x 2" x 0.120" x 60") order is typically expected to exhibit a 90° angle on all boards. However, manufacturing would be considered to be within tolerance if angles measured between 80° (90° - 10°) and 110° (90° + 20°).



## Printing

All corner protector printing requests are processed utilizing our two-color industrial flexographic printer. Differences in color shade may be evident across pieces, skids, or multiple orders. Due to the industrial nature of the flexographic printer minor alignment variations, streaking, smearing, and/or shadowing may be apparent on the finished designs.

Specifically, two-color print requests need to maintain a gap of  $\frac{3}{8}$ " (0.375") between each color. If a customer requires less than the denoted  $\frac{3}{8}$ " tolerance, please reach out to a Litco Sales Representative for further discussion on the required print parameters.



Litco is a leading provider of sustainable transport packaging products and load securement solutions. We help companies prevent freight damage, improve supply chain sustainability, and increase warehouse efficiency. Our products include certified sustainable pressed wood pallets, core plugs, corrugated void fill, corner protectors, dunnage airbags, and custom shipping crates. Established in 1962, Litco is a Christ-centered company that embraces the motto, "With God, All Things Are Possible."

For more info, contact:

### LITCO

One Litco Drive, P.O. Box 150  
Vienna, OH 44473-0150  
1.800.236.1903 | 330.539.5433  
info@litco.com | www.litcomfg.com