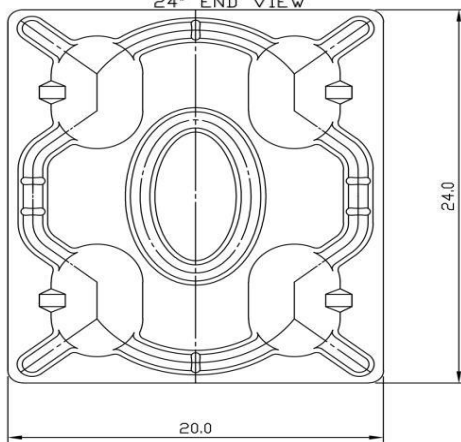
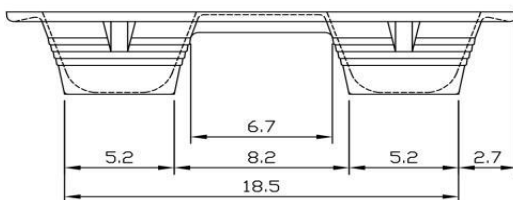
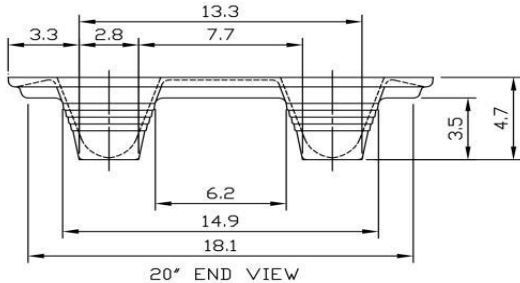


# TECHNICAL DATA SHEET

## 20" x 24"

(508.00 mm x 609.60 mm)

# INCA Engineered Molded Wood™ Pallet



### Manufacturing & Composition

Engineered molded wood pallets are made in one solid piece from dried wood fibers and environmentally safe synthetic resin in a compression mold under high pressure and temperature.

### Design for Safety

Because our pallets weigh up to 50% less than conventional, solid hardwood pallets, they are safer and easier to handle. And, there are no nails or splinters to damage product or injure personnel.

### Low Moisture Content

Only 6 - 8% moisture content, high resistance to mold and no moisture transmission to product or packaging load on the pallet.

### Approximate Surface Area

Top Deck: 246 sq. inches  
Footprint: 50 sq. inches

### Approximate Dynamic Load Capacity\*

DUTY	CAPACITY	COLOR CODE	PAINTED STRIPE
Extra Heavy	750 lbs.		Not applicable

\*Not intended for use in open beam rack storage. Load uniformly distributed on pallet deck. Actual load capacity is application specific & dependent upon the product, packaging, load containment & handling environment. The testing of our pallets with the intended application is strongly recommended.

### Full 4 Way Entry

4-way entry with fork truck                      4-way entry with pallet jack

### De-Nest With a Lift Truck

A stack of 50 pallets nest approximately 7' high. For each additional pallet, add 2" to height of stack. They can easily be de-nested with a lift truck.

### Quantity per 53" Shipping Van

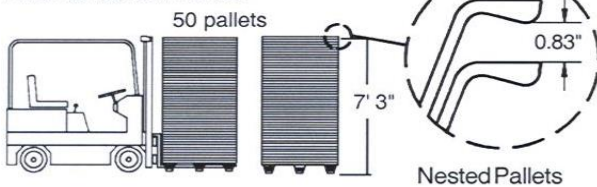
Quantities vary with pallet size and pallet capacity.

DUTY	TRUCKLOAD/QTY	LBS./PALLET
Extra Heavy	4200	8.0 (+/- 1.0)

### IPPC-ISPM15 Export Compliant!

Engineered molded wood pallets are welcome worldwide. They are considered "processed wood" per ISPM 15 export wooden packaging regulations. No extra or costly treatment against infestation is required.

All dimensions in inches



To see our pallet in action, click here

<https://www.litco.com/pallet-handling/>

4/5/2022



**LITCO INTERNATIONAL INC.**

Phone 330-539-5433 / 800-236-1903

www.litco.com EWPG@litco.com

